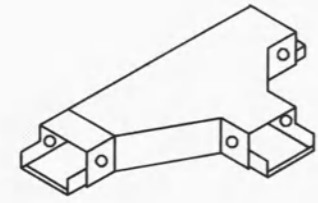
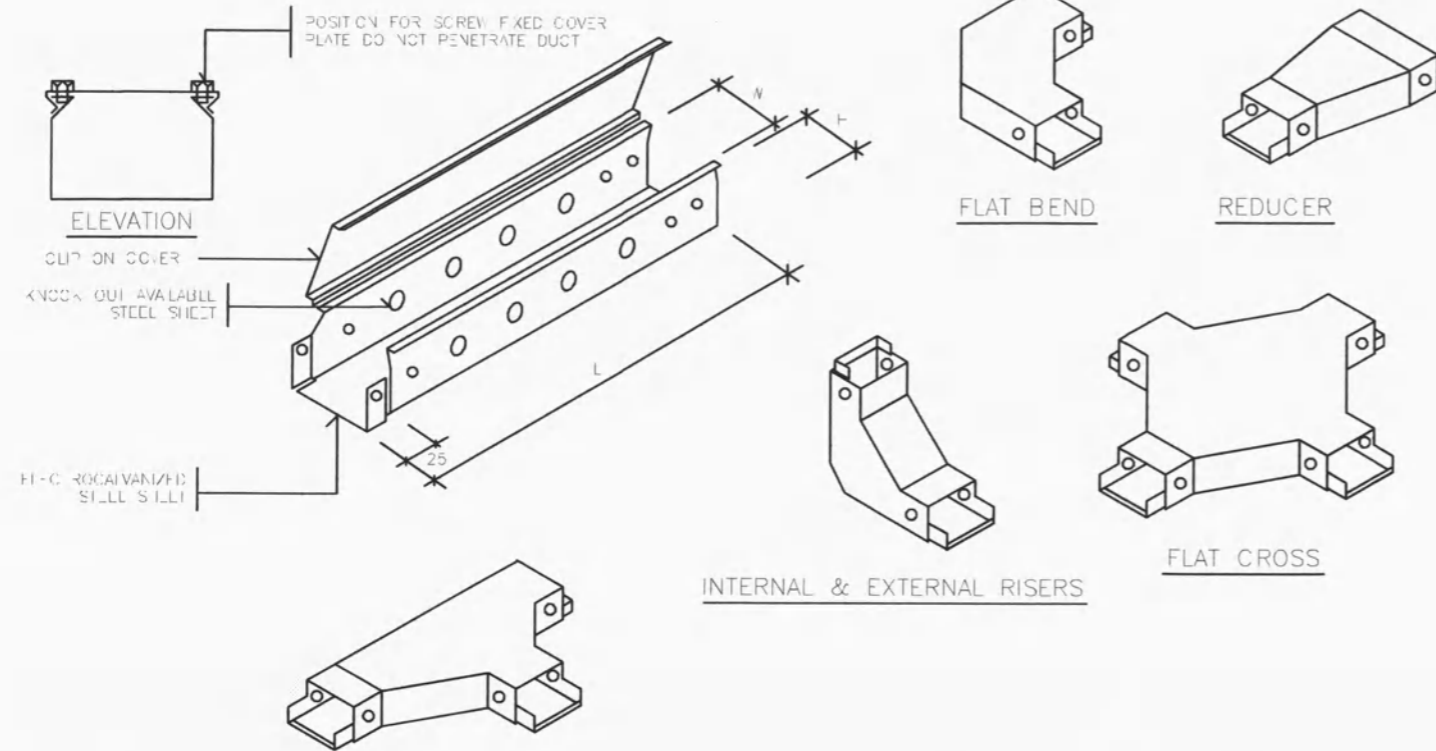


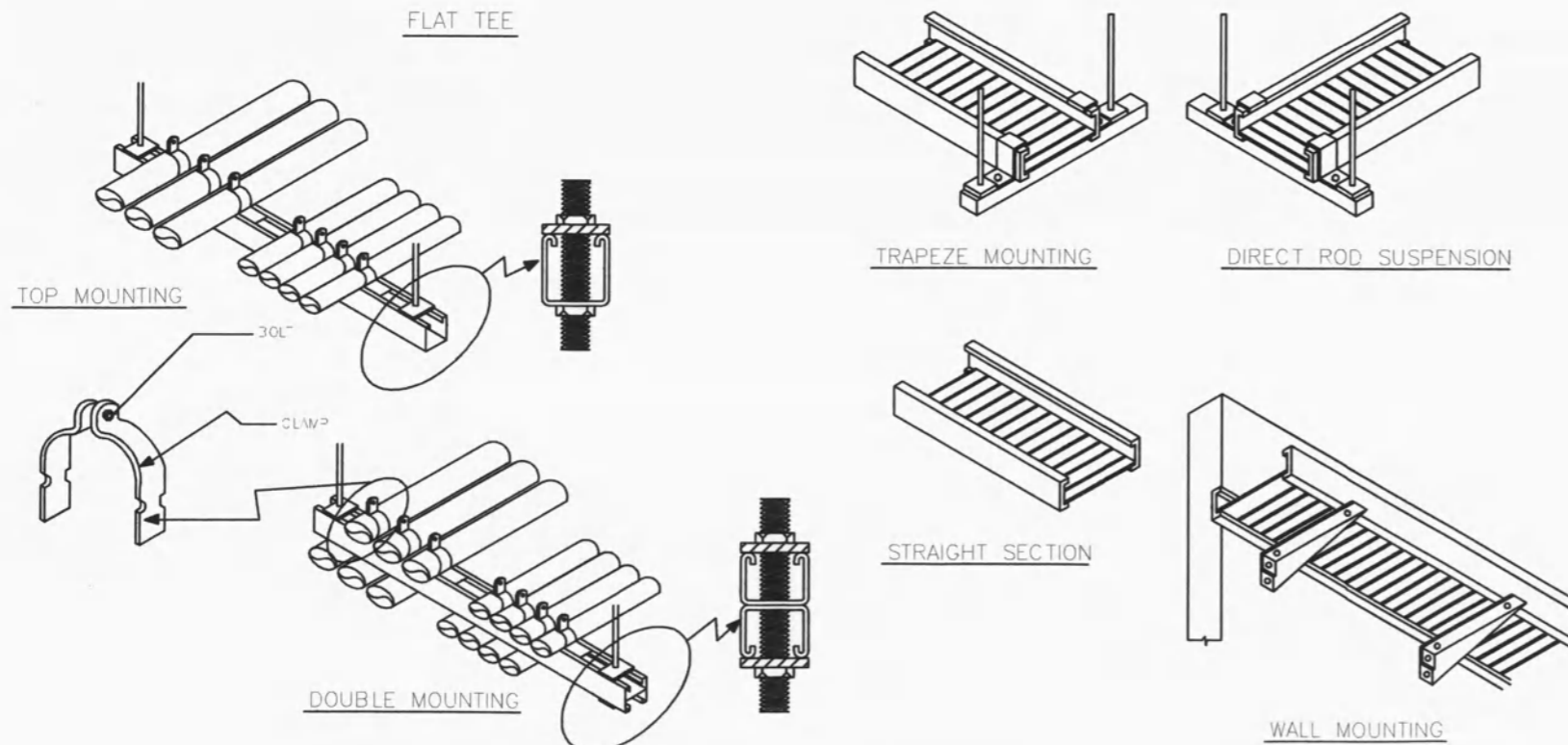
## WIREWAY

SIZE OF WIREWAY	W (mm.)	H (mm.)	L (mm.)	THICKNESS (mm.)
50 X 50	50	50	2400	1.2
75 X 50	75	50	2400	1.2
100 X 50	100	50	2400	1.2
100 X 100	100	100	2400	1.2
150 X 100	150	100	2400	1.2
200 X 100	200	100	2400	1.6
300 X 100	300	100	2400	1.6
300 X 150	300	150	2400	1.6



## CABLE TRAY

SIZE OF CABLE TRAY	W (mm.)	H (mm.)	L (mm.)	THICKNESS (mm.)
200 X 125	200	125	2400	1.6
250 X 125	250	125	2400	1.6
300 X 125	300	125	2400	1.6
400 X 150	400	150	2400	2.0
500 X 150	500	150	2400	2.0
600 X 150	600	150	2400	2.0



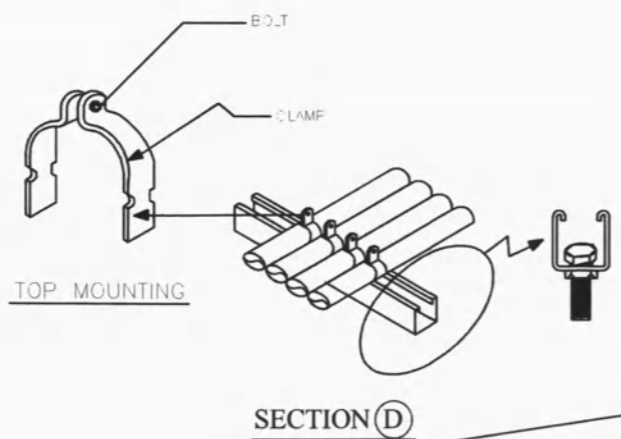
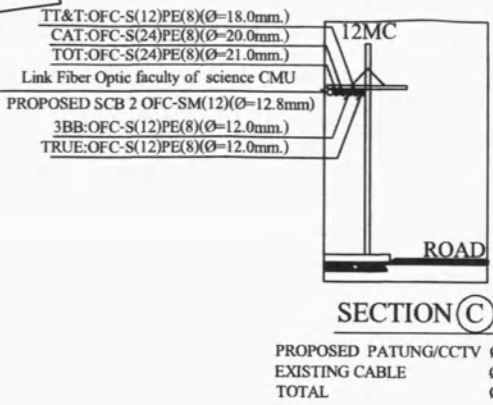
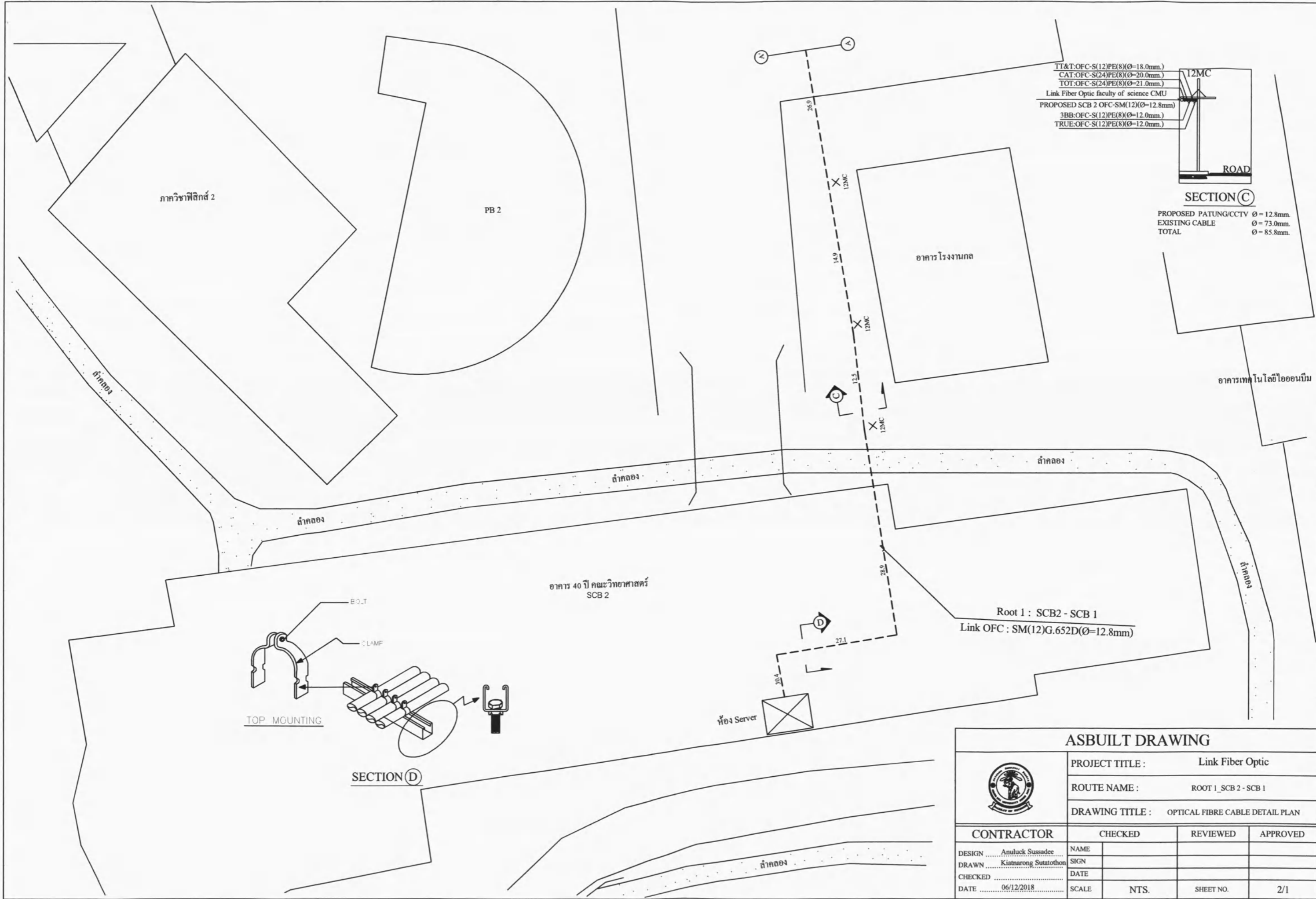
CONDUIT AND CABLE TRAY INSTALLATION AND SUPPORT

## ASBUILT DRAWING



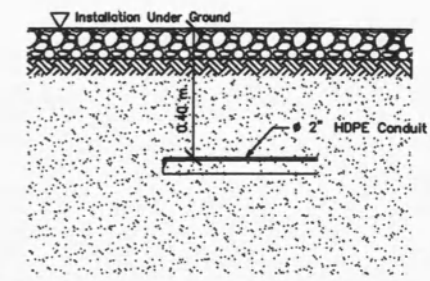
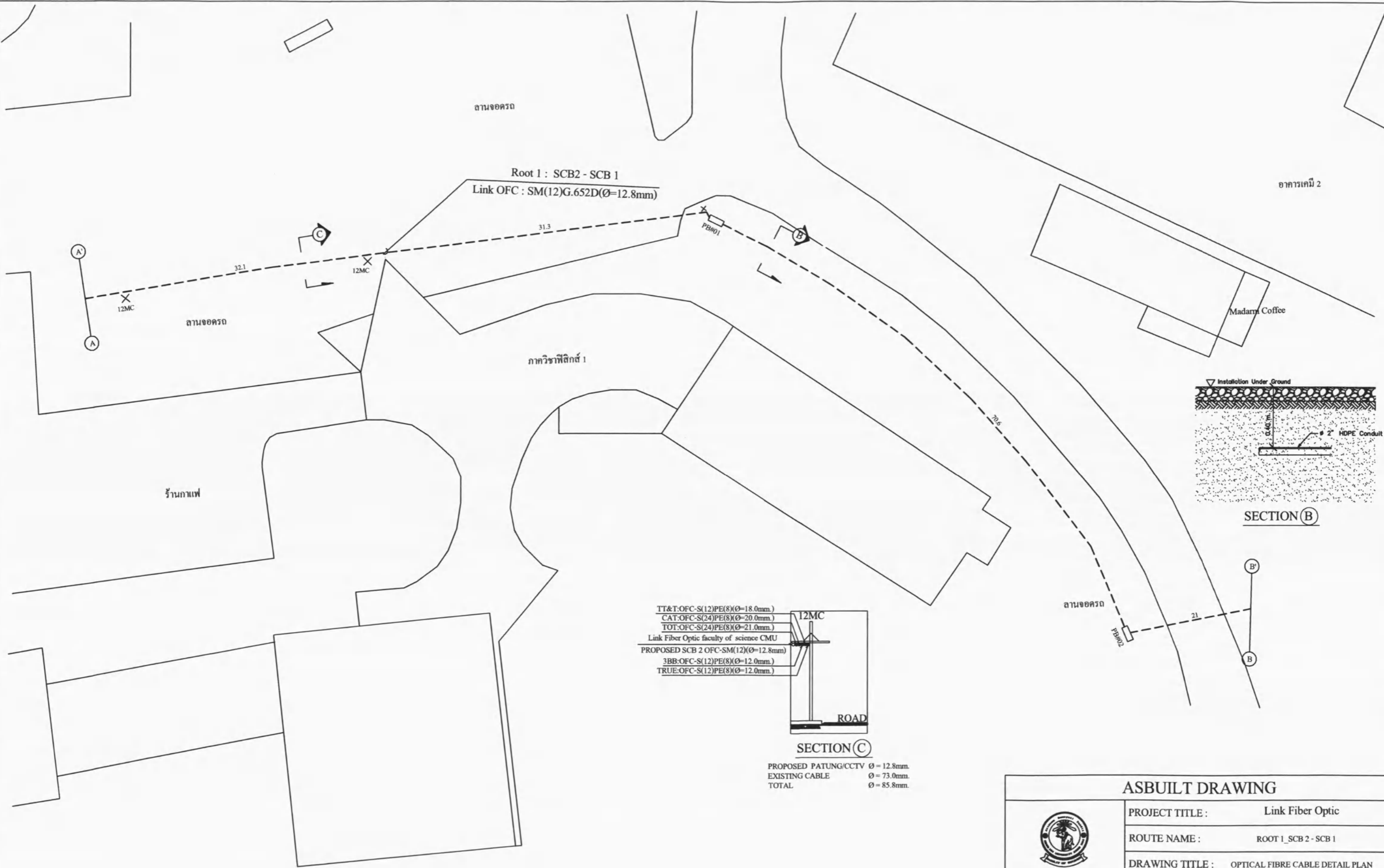
PROJECT TITLE : Link Fiber Optic  
 ROUTE NAME : Link Fiber Optic faculty of science CMU  
 DRAWING TITLE : OPTICAL FIBRE CABLE DETAIL PLAN

CONTRACTOR		CHECKED	REVIEWED	APPROVED
DESIGN ..... Anuluck Sussadee	NAME			
DRAWN ..... Kitnarong Sutathothon	SIGN			
CHECKED .....	DATE			
DATE ..... 06/12/2018	SCALE	NTS.	SHEET NO.	1/5

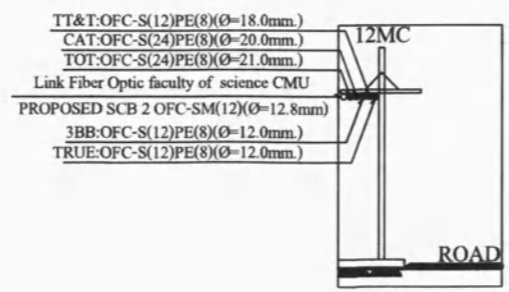


Root 1 : SCB2 - SCB 1  
 Link OFC : SM(12)G.652D(Ø=12.8mm)

ASBUILT DRAWING			
	PROJECT TITLE :	Link Fiber Optic	
	ROUTE NAME :	ROOT 1_SCB 2 - SCB 1	
	DRAWING TITLE :	OPTICAL FIBRE CABLE DETAIL PLAN	
<b>CONTRACTOR</b>	<b>CHECKED</b>	<b>REVIEWED</b>	<b>APPROVED</b>
DESIGN ..... Anuluck Sussadee	NAME		
DRAWN ..... Kiatnarong Sutathothon	SIGN		
CHECKED .....	DATE		
DATE ..... 06/12/2018	SCALE	NTS.	SHEET NO. 2/1



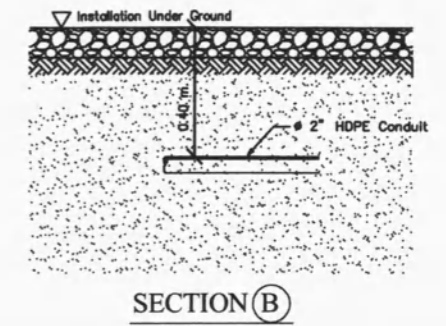
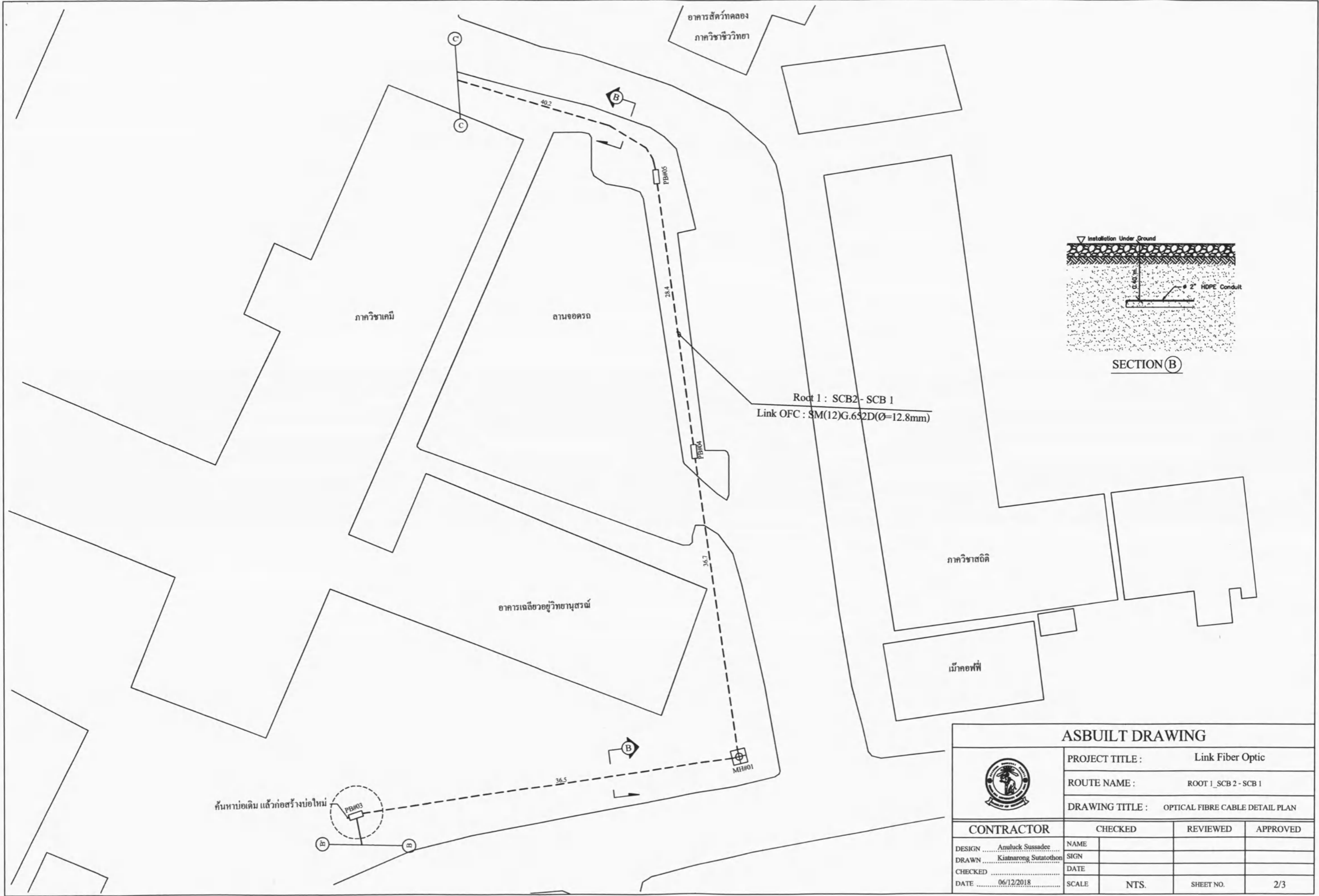
SECTION (B)




SECTION (C)

PROPOSED PATUNG/CCTV Ø = 12.8mm.  
 EXISTING CABLE Ø = 73.0mm.  
 TOTAL Ø = 85.8mm.

ASBUILT DRAWING			
	PROJECT TITLE :	Link Fiber Optic	
	ROUTE NAME :	ROOT 1_SCB 2 - SCB 1	
	DRAWING TITLE :	OPTICAL FIBRE CABLE DETAIL PLAN	
<b>CONTRACTOR</b>	<b>CHECKED</b>	<b>REVIEWED</b>	<b>APPROVED</b>
DESIGN ..... Anuluck Sussadee	NAME		
DRAWN ..... Kiatmarong Sutathothon	SIGN		
CHECKED .....	DATE		
DATE ..... 06/12/2018	SCALE	NTS.	SHEET NO. 2/2



Root 1 : SCB2 - SCB 1  
 Link OFC : SM(12)G.652D(Ø=12.8mm)

ASBUILT DRAWING			
	PROJECT TITLE : Link Fiber Optic		
	ROUTE NAME : ROOT 1_SCB 2 - SCB 1		
	DRAWING TITLE : OPTICAL FIBRE CABLE DETAIL PLAN		
<b>CONTRACTOR</b>		<b>CHECKED</b>	<b>REVIEWED</b>
DESIGN ..... Anuluck Sussadee	NAME		
DRAWN ..... Kiatnarong Sutathorn	SIGN		
CHECKED .....	DATE		
DATE ..... 06/12/2018	SCALE	NTS.	SHEET NO. 2/3



