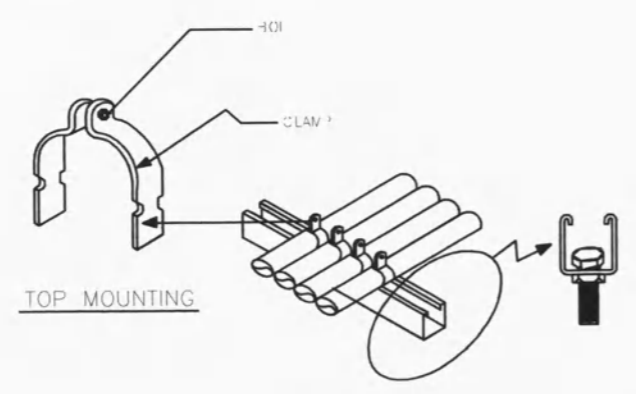


TT&T:OFC-S(12)PE(8)(Ø=18.0mm.)  
 CAT:OFC-S(24)PE(8)(Ø=20.0mm.)  
 TOT:OFC-S(24)PE(8)(Ø=21.0mm.)  
 Link Fiber Optic faculty of science CMU  
 PROPOSED SCB 2 OFC-SM(12)(Ø=12.8mm)  
 3BB:OFC-S(12)PE(8)(Ø=12.0mm.)  
 TRUE:OFC-S(12)PE(8)(Ø=12.0mm.)


PROPOSED PATUNG/CCTV Ø = 12.8mm.  
 EXISTING CABLE Ø = 73.0mm.  
 TOTAL Ø = 85.8mm.

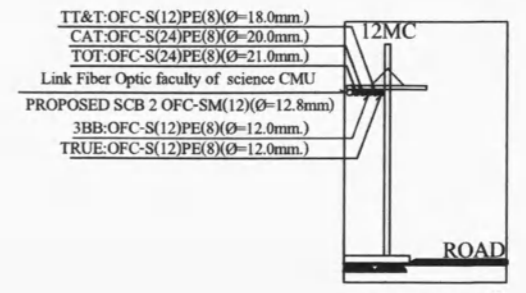
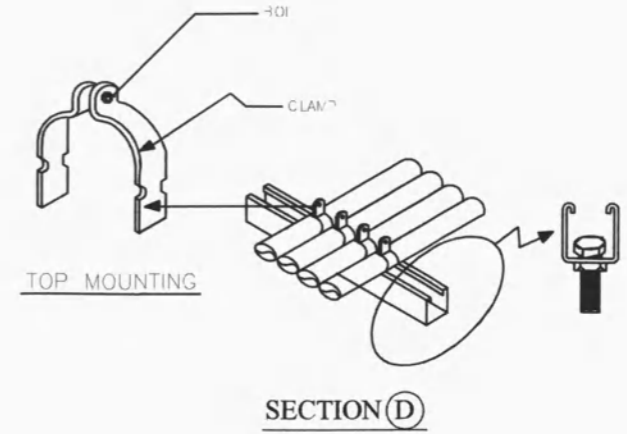
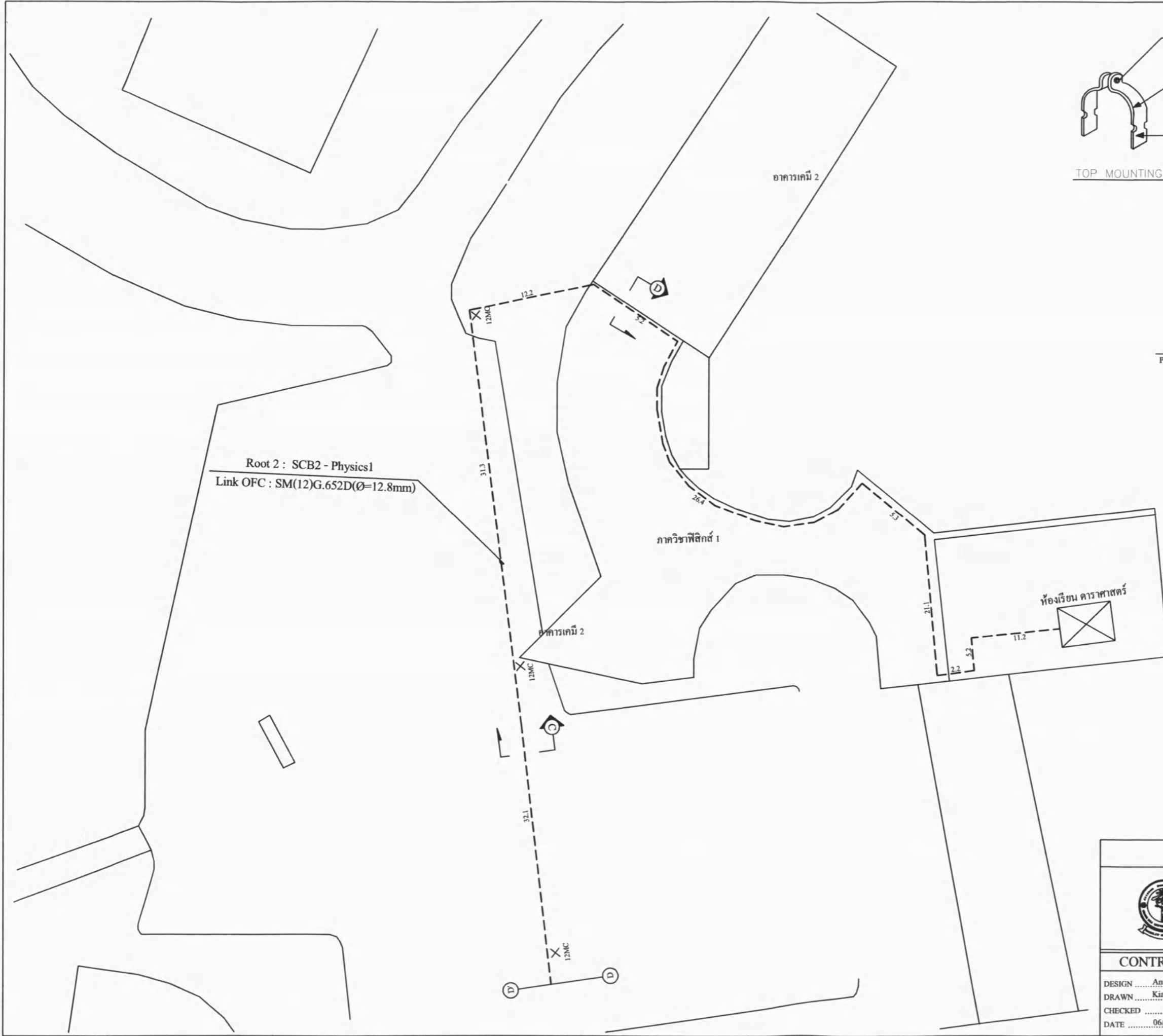


SECTION D


Root 2 : SCB2 - Physics1  
 Link OFC : SM(12)G.652D(Ø=12.8mm)

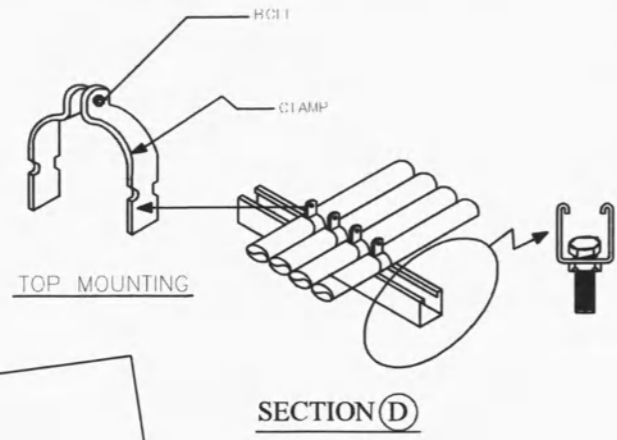
ASBUILT DRAWING

	PROJECT TITLE : Link Fiber Optic		
	ROUTE NAME : ROOT 2_SCB 2 -Physics1		
	DRAWING TITLE : OPTICAL FIBRE CABLE DETAIL PLAN		
CONTRACTOR	CHECKED	REVIEWED	APPROVED
DESIGN ..... Anuluck Sussadee	NAME		
DRAWN ..... Kiatnarong Sutathon	SIGN		
CHECKED .....	DATE		
DATE ..... 06/12/2018	SCALE	NTS.	SHEET NO. 3/1

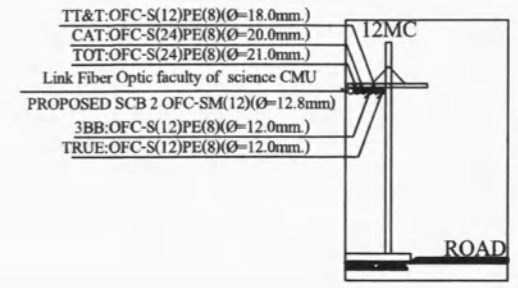


PROPOSED PATUNG/CCTV Ø = 12.8mm.  
 EXISTING CABLE Ø = 73.0mm.  
 TOTAL Ø = 85.8mm.

ASBUILT DRAWING				
	PROJECT TITLE :		Link Fiber Optic	
	ROUTE NAME :		ROOT 2 SCB 2 -Physics1	
	DRAWING TITLE :		OPTICAL FIBRE CABLE DETAIL PLAN	
CONTRACTOR		CHECKED	REVIEWED	APPROVED
DESIGN ..... Anuluck Sussadee	NAME			
DRAWN ..... Kiatnarong Sutathothon	SIGN			
CHECKED .....	DATE			
DATE ..... 06/12/2018	SCALE	NTS.	SHEET NO.	3/2

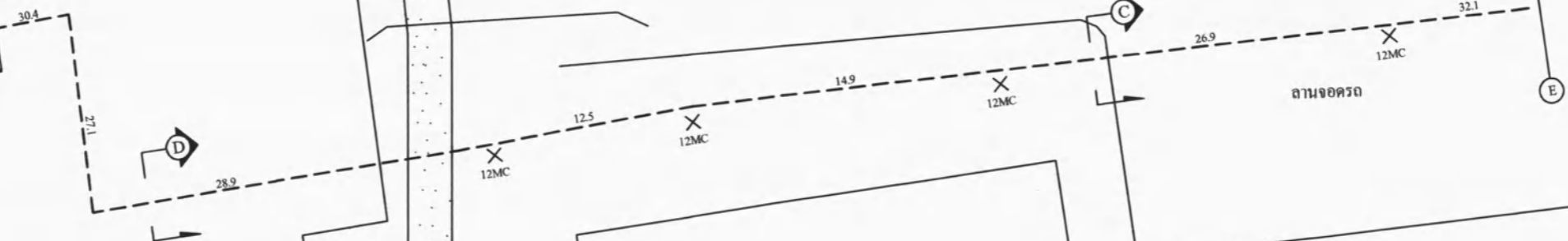
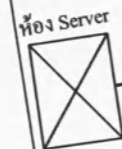


อาคาร 40 ปี คณะวิทยาศาสตร์  
SCB 2



PROPOSED PATUNG/CCTV  $\varnothing = 12.8\text{mm}$   
EXISTING CABLE  $\varnothing = 73.0\text{mm}$   
TOTAL  $\varnothing = 85.8\text{mm}$

Root 3 : SCB2 - Physics2  
Link OFC : SM(12)G.652D( $\varnothing=12.8\text{mm}$ )



ถนนจอหอ

ถนนจอหอ

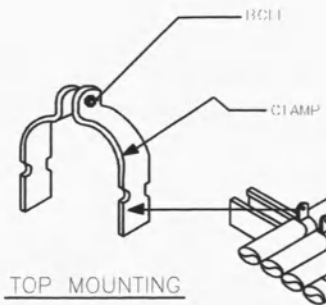
ภาควิชาฟิสิกส์ 1

อาคารโรงงานกล

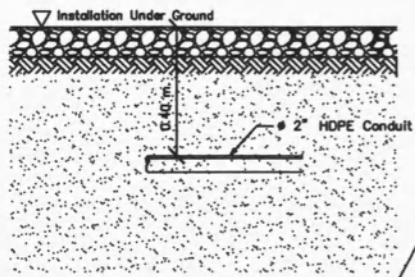
ร้านกาแฟ

ASBUILT DRAWING

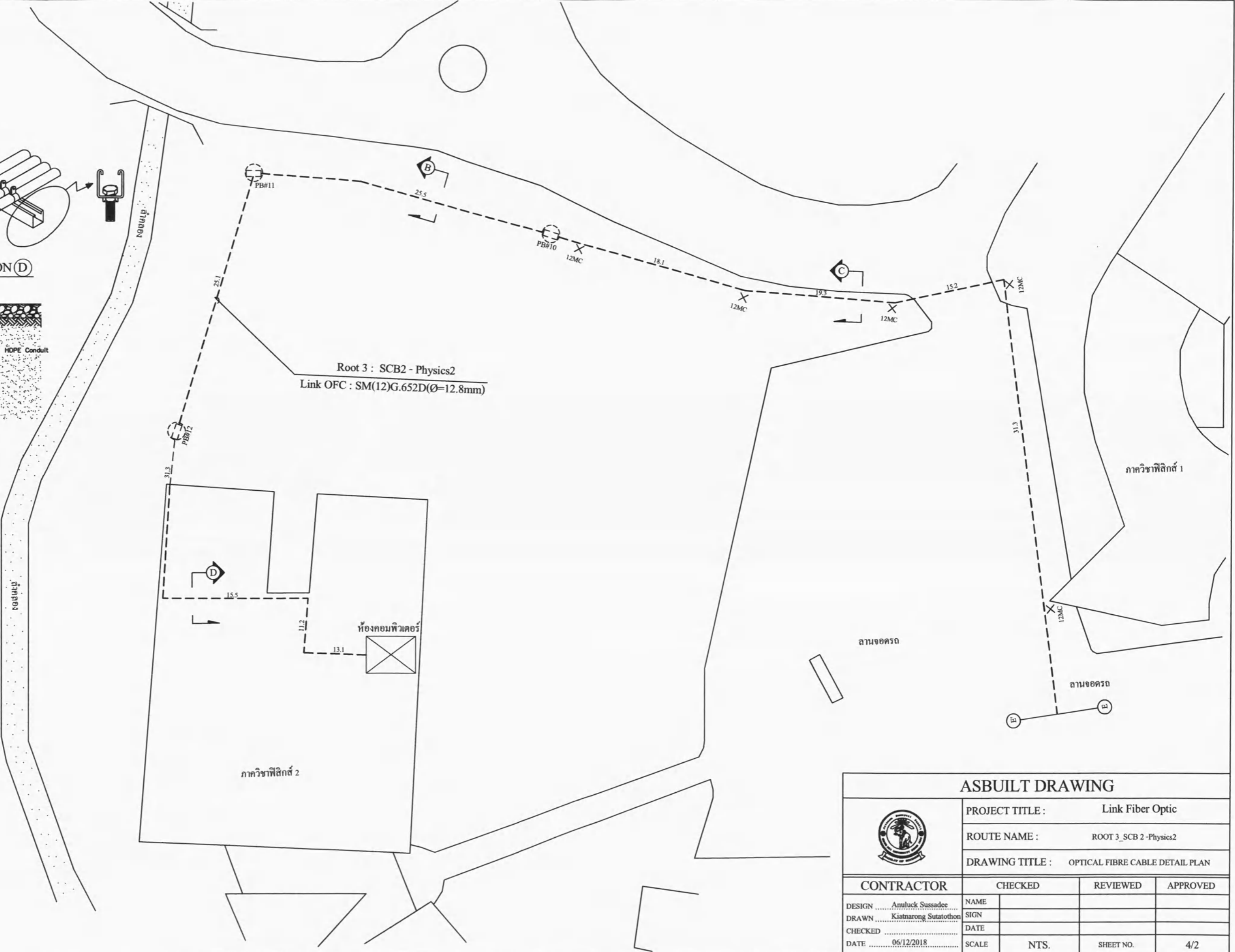
	PROJECT TITLE : Link Fiber Optic		
	ROUTE NAME : ROOT 3_SCB 2 -Physics2		
	DRAWING TITLE : OPTICAL FIBRE CABLE DETAIL PLAN		
CONTRACTOR	CHECKED	REVIEWED	APPROVED
DESIGN ..... Amuluck Sussadee	NAME		
DRAWN ..... Kiatmarong Sutathon	SIGN		
CHECKED .....	DATE		
DATE ..... 06/12/2018	SCALE	NTS.	SHEET NO. 4/1



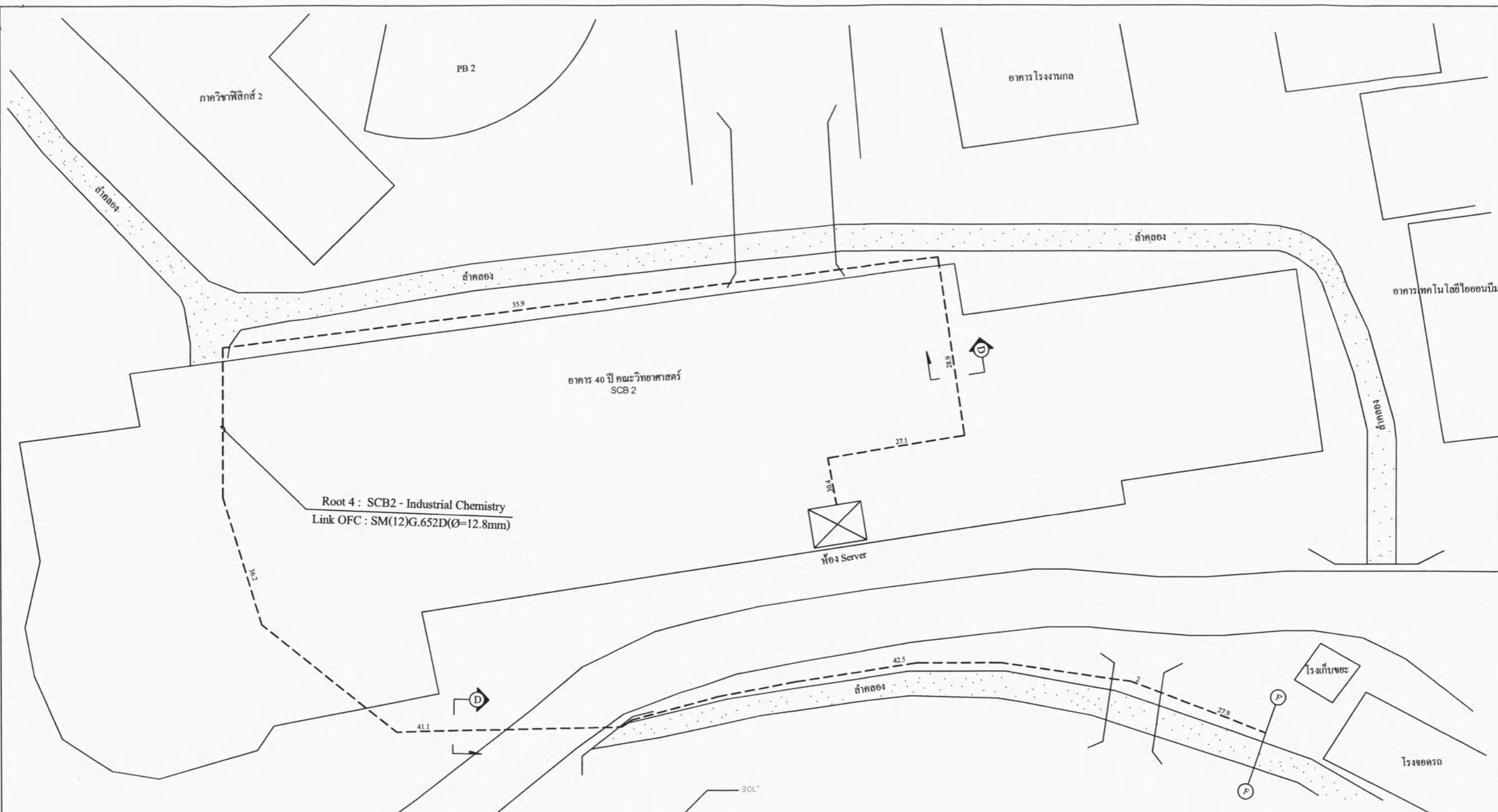
SECTION (D)



SECTION (B)

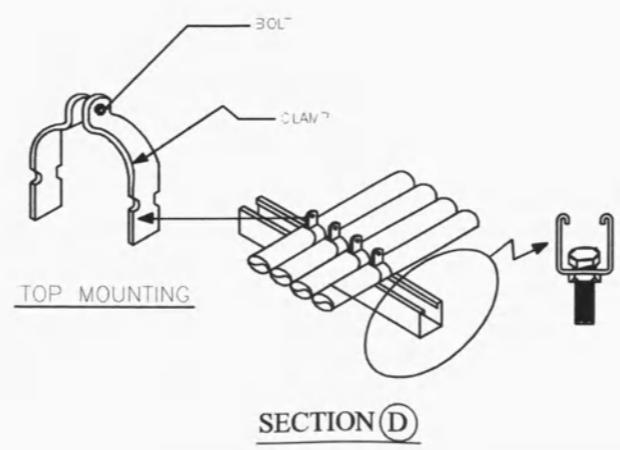


ASBUILT DRAWING			
	PROJECT TITLE :	Link Fiber Optic	
	ROUTE NAME :	ROOT 3_SCB 2 -Physics2	
	DRAWING TITLE :	OPTICAL FIBRE CABLE DETAIL PLAN	
CONTRACTOR	CHECKED	REVIEWED	APPROVED
DESIGN ..... Anuluck Sussadee	NAME		
DRAWN ..... Kiatnarong Sutathorn	SIGN		
CHECKED .....	DATE		
DATE ..... 06/12/2018	SCALE	NTS.	SHEET NO. 4/2




Root 4 : SCB2 - Industrial Chemistry  
 Link OFC : SM(12)G.652D(Ø=12.8mm)

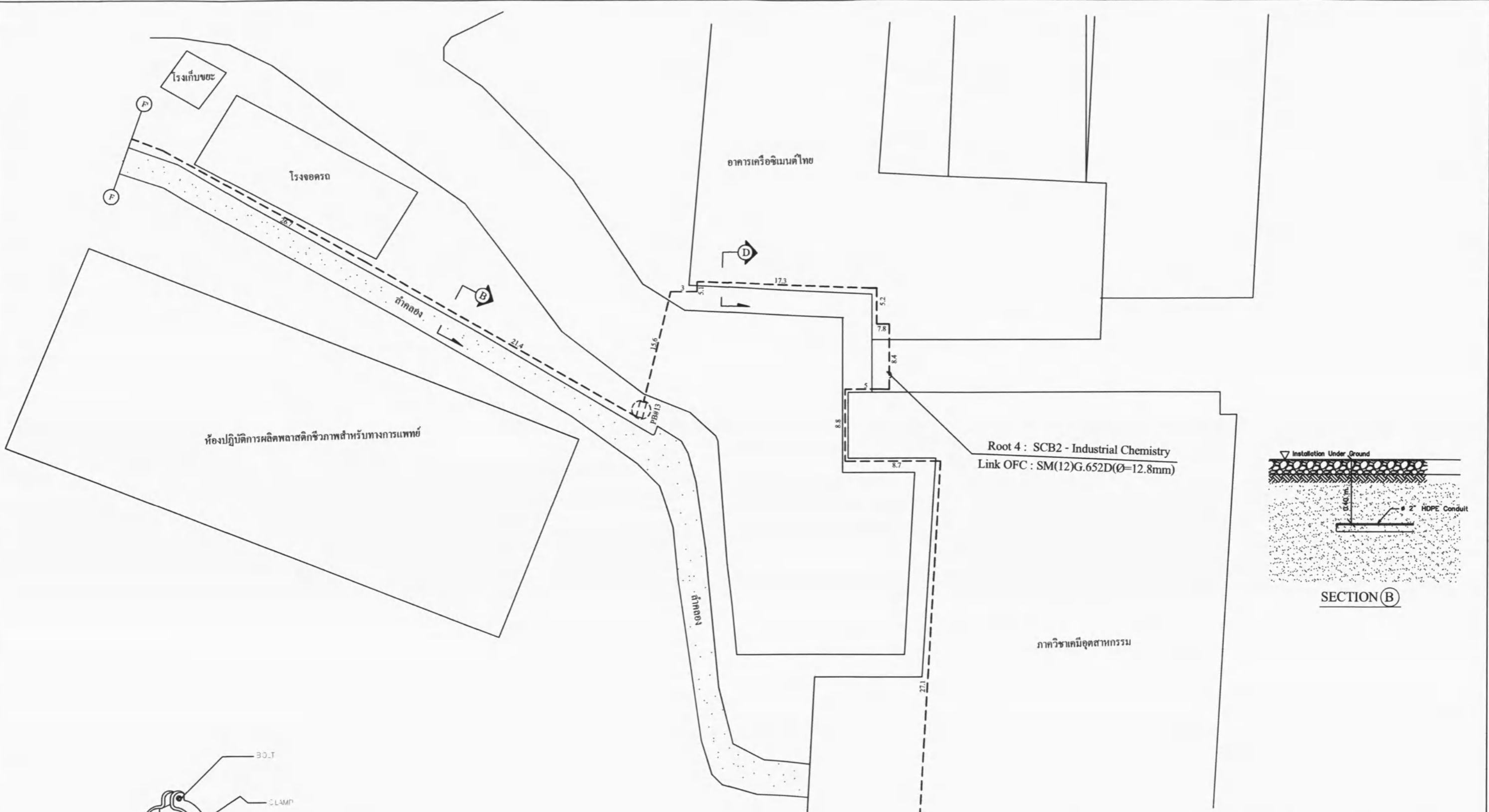
ห้อง Server



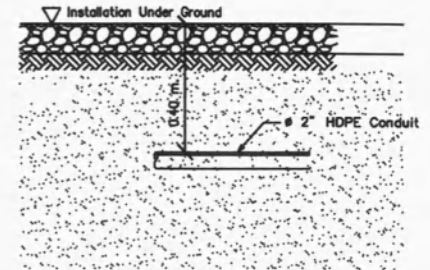
**ASBUILT DRAWING**

	PROJECT TITLE : Link Fiber Optic		
	ROUTE NAME : ROOT 4_SCB2 - Industrial Chemistry		
	DRAWING TITLE : OPTICAL FIBRE CABLE DETAIL PLAN		
<b>CONTRACTOR</b>	<b>CHECKED</b>	<b>REVIEWED</b>	<b>APPROVED</b>
DESIGN ..... Amuluck Sussadee	NAME		
DRAWN ..... Kiatnarong Sutathorn	SIGN		
CHECKED .....	DATE		
DATE ..... 06/12/2018	SCALE	NTS.	SHEET NO. 5/1

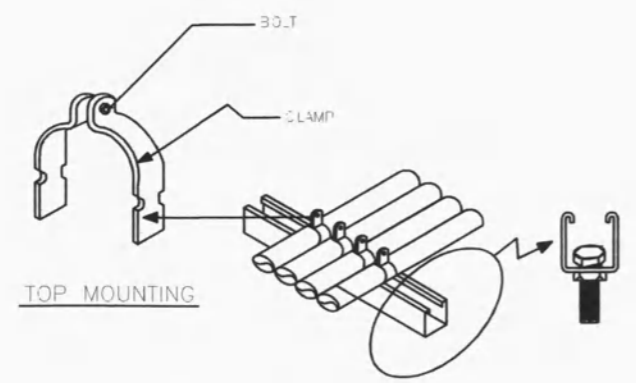




Root 4 : SCB2 - Industrial Chemistry  
 Link OFC : SM(12)G.652D(Ø=12.8mm)



SECTION (B)



SECTION (D)

ASBUILT DRAWING

	PROJECT TITLE : Link Fiber Optic		
	ROUTE NAME : ROOT_4_SCB2 - Industrial Chemistry		
	DRAWING TITLE : OPTICAL FIBRE CABLE DETAIL PLAN		
CONTRACTOR	CHECKED	REVIEWED	APPROVED
DESIGN : Amnuck Sussadee	NAME		
DRAWN : Kiatnrong Sutathon	SIGN		
CHECKED	DATE		
DATE : 06/12/2018	SCALE	NTS.	SHEET NO. 5/2